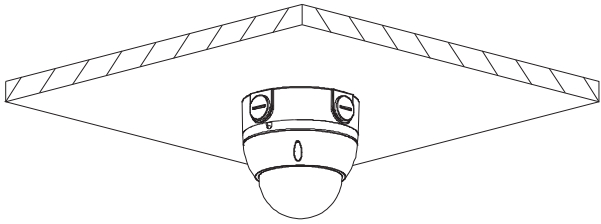
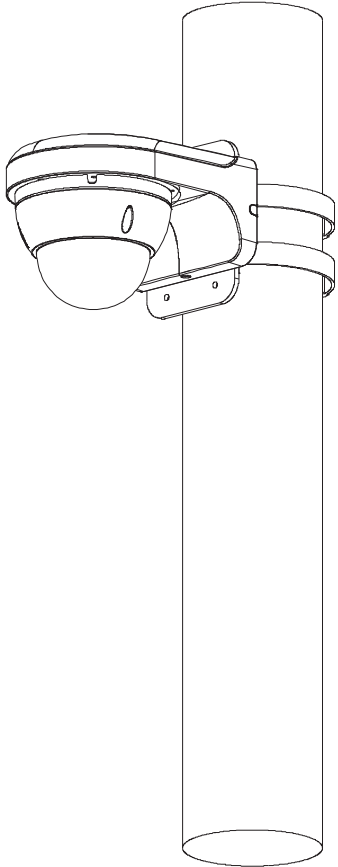
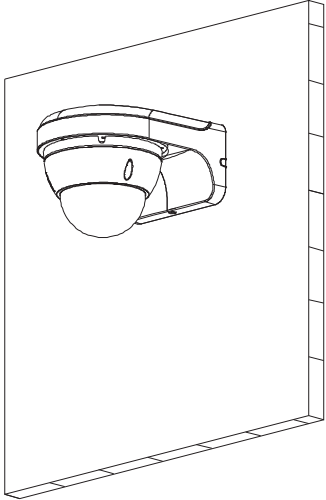


Junction Mount	Pole Mount
PFA136	PFB203W + PFA152
 A line drawing showing a dome-shaped camera lens mounted to a square ceiling plate. The camera is positioned centrally on the plate, and the plate has a hatched pattern on its top surface.	 A line drawing showing a dome-shaped camera lens mounted to a vertical cylindrical pole. The camera is attached to the pole via a bracket with two straps that wrap around the pole.
Wall Mount	
PFB203W	
 A line drawing showing a dome-shaped camera lens mounted to a rectangular wall plate. The camera is attached to the plate via a bracket that fits into a recessed area on the wall.	