

## 1 | Overview

The B12 Mounting Plate is required when mounting B Series Control Panels, the B520 Aux Power Module, or other similar devices in D8103 Universal Enclosures, D8108A Attack Enclosures, or D8109 Fire Enclosures.

This kit includes one B12 Mounting Plate and one screw to secure the lock down tab.

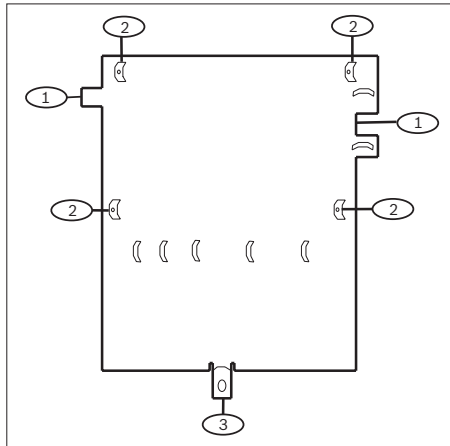


Figure 1.1: B12 mounting plate

Callout	Description
1	Hook tabs
2	Support post
3	Lock down tab

## 2 | Mounting

To mount a device to the B12 Mounting Plate, complete the following steps.

### 2.1 | Attach standoffs

Snap four plastic standoffs onto the four support posts as shown in *Figure 2.1*. (Standoffs provided separately with the device being mounted.)



#### NOTICE!

Do not attach the standoffs with screws at this time.

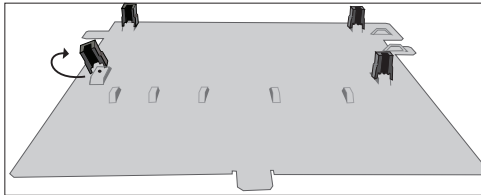


Figure 2.1: Standoff attachment

### 2.2 | Place the device

Lay the mounting plate on a flat surface with the standoffs facing up. Set the device on top of the standoffs as shown in *Figure 2.2*. Make sure the holes in the corners of the device are aligned with the openings at the top of each of the standoffs.

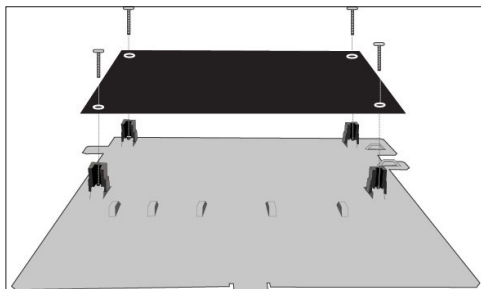


Figure 2.2: Device attachment to mounting plate

### 2.3 | Secure the device

Secure the device to the mounting plate with self-threading screws as shown in *Figure 2.2*. (Screws provided separately with the device being mounted.)

### 2.4 | Securing mounting skirt in enclosure

Complete the installation by resting the hook tabs on the mounting plate hooks within the enclosure. Secure the lock-down tab to the plate mounting hole with the screw provided in this kit. Refer to *Figure 1.1* and *Figure 2.3*.

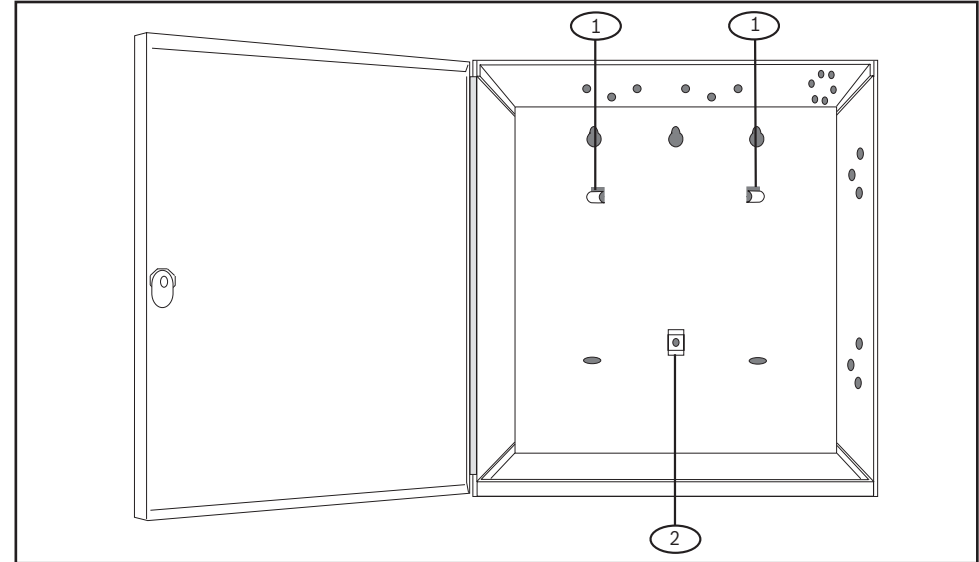


Figure 2.3: Universal enclosure

Callout	Description
1	Mounting plate hooks
2	Plate mounting hole

## 3 | Specifications

Dimensions	(HxWxD) 9.25 in x 8.63 in x .5 in (23.5 cm x 21.92 cm x 1.27 cm)
------------	--

### Copyright

This document is the intellectual property of Bosch Security Systems, Inc. and is protected by copyright. All rights reserved.

### Trademarks

All hardware and software product names used in this document are likely to be registered trademarks and must be treated accordingly.

### Bosch Security Systems, Inc. product manufacturing dates

Use the serial number located on the product label and refer to the Bosch Security Systems, Inc. website at <http://www.boschsecurity.com/datecodes/>.

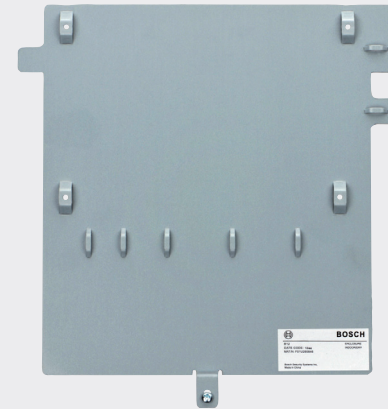
**Bosch Security Systems, Inc.**

130 Perinton Parkway  
Fairport, NY 14450  
USA

[www.boschsecurity.com](http://www.boschsecurity.com)

**Bosch Sicherheitssysteme GmbH**

Robert-Bosch-Ring 5  
85630 Grasbrunn  
Germany



**B12**  
Mounting Plate for D8103



en Installation Manual

