

DH-HAC-HFW1100S36S3

1Megapixel 720P Water-proof HDCVI IR Bullet Camera



Features

- 1/3" 1Megapixel CMOS
- 25/30fps@720P
- High speed, long distance real-time transmission
- HD and SD switchable
- OSD Menu, control over coaxial cable
- DWDR, Day/Night(ICR), AWB, AGC, BLC, 2DNR
- 3.6mm fixed lens
- Max. IR LEDs length 30m, Smart IR
- IP67, DC12V

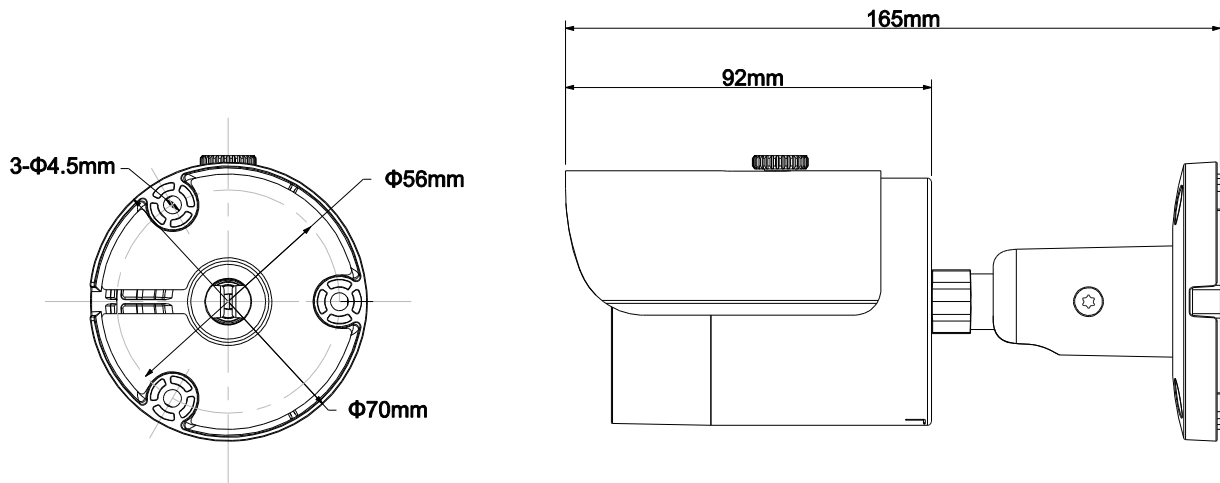
DH-HAC-HFW1100S36S3

Technical Specifications

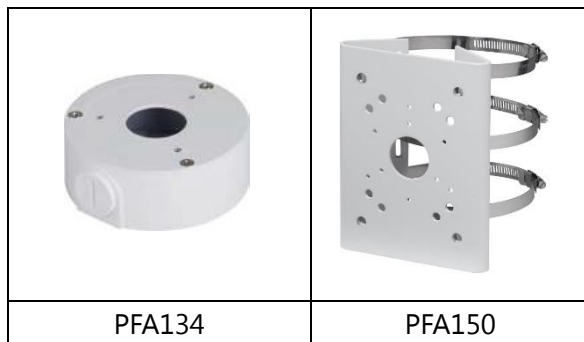
Model	DH-HAC-HFW1100S36S3
Camera	
Image Sensor	1/3" 1Megapixel CMOS
Effective Pixels	1280(H)×720(V)
Electronic Shutter	1/60s~1/100,000s
Video Frame Rate	30fps@720P
Synchronization	Internal
Min. Illumination	0.05Lux/F2.0, 0Lux IR on
Video Output	1-channel BNC high definition video output/ CVBS standard definition video output (Can switch)
Camera Features	
Max. IR LEDs Length	30m, Smart IR
Backlight Compensation	DWDR
Day/Night	Auto(ICR) / Color / B/W
Noise Reduction	2D
OSD Menu	Support
Lens	
Focal length	3.6mm
Angle of View	H: 78° (91.6° /46°)
Mount Type	M12
General	
Power Supply	DC12V±25%
Power Consumption	Max 3.8W
Working Environment	-30°C~+60°C / Less than 95%RH (no condensation)
Transmission Distance	Over 800m via 75-3 coaxial cable
Ingress Protection	IP67
Dimensions(W×D×H)	Φ70mm×165mm
Weight	0.35kg
Material	Metal (body) + Plastic (sunshield)

DH-HAC-HFW1100S

Dimensions (mm)



Accessories (optional)



Dahua Technology Co., Ltd.

1187 BinAn Road, Binjiang District, Hangzhou, China

Tel: +86-571-87688883

Fax: +86-571-87688815

Email: overseas@dahuatech.com

www.dahuasecurity.com

*Design and specifications are subject to change without notice.

© 2013 Dahua Technology Co., Ltd.