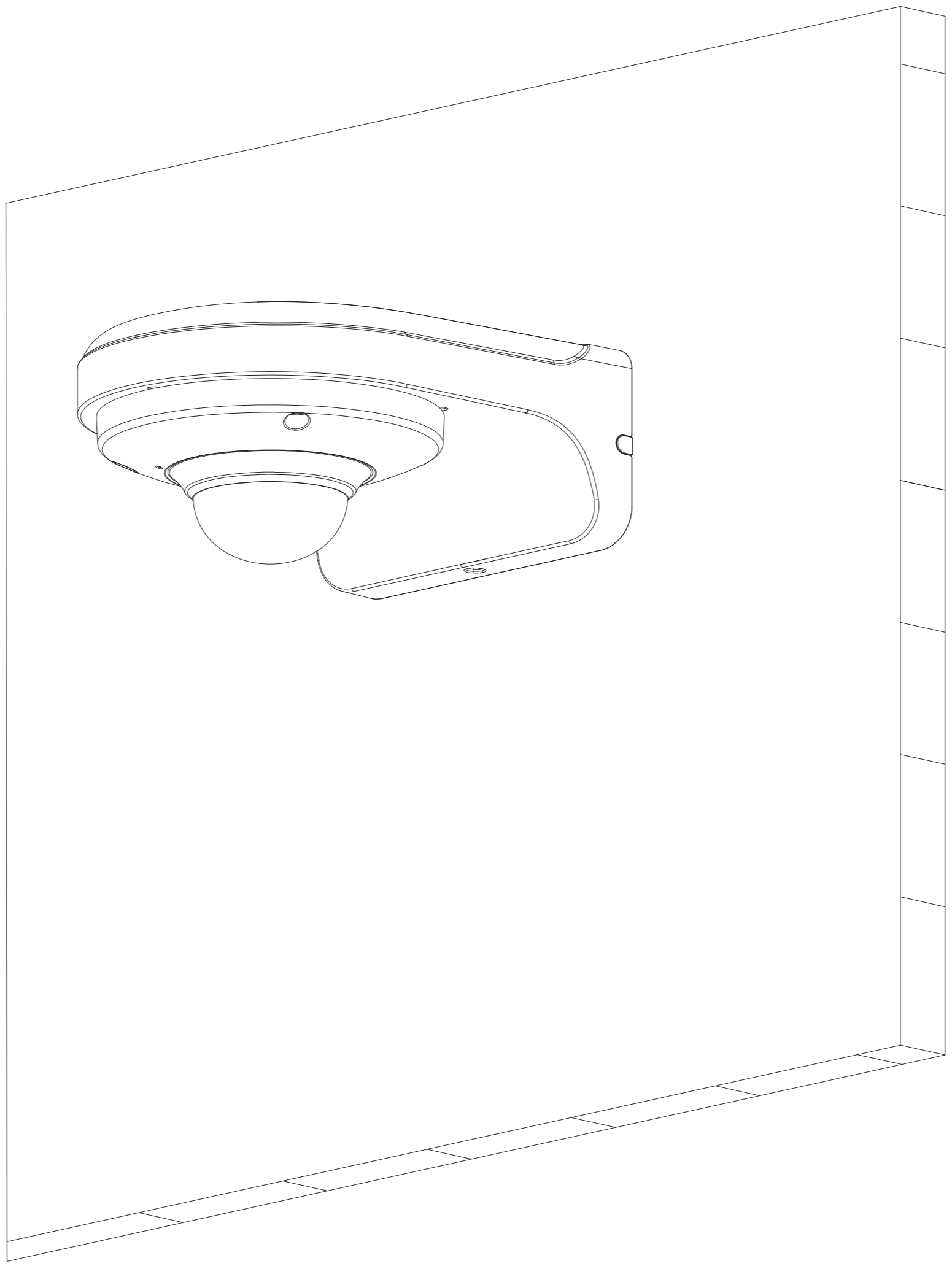
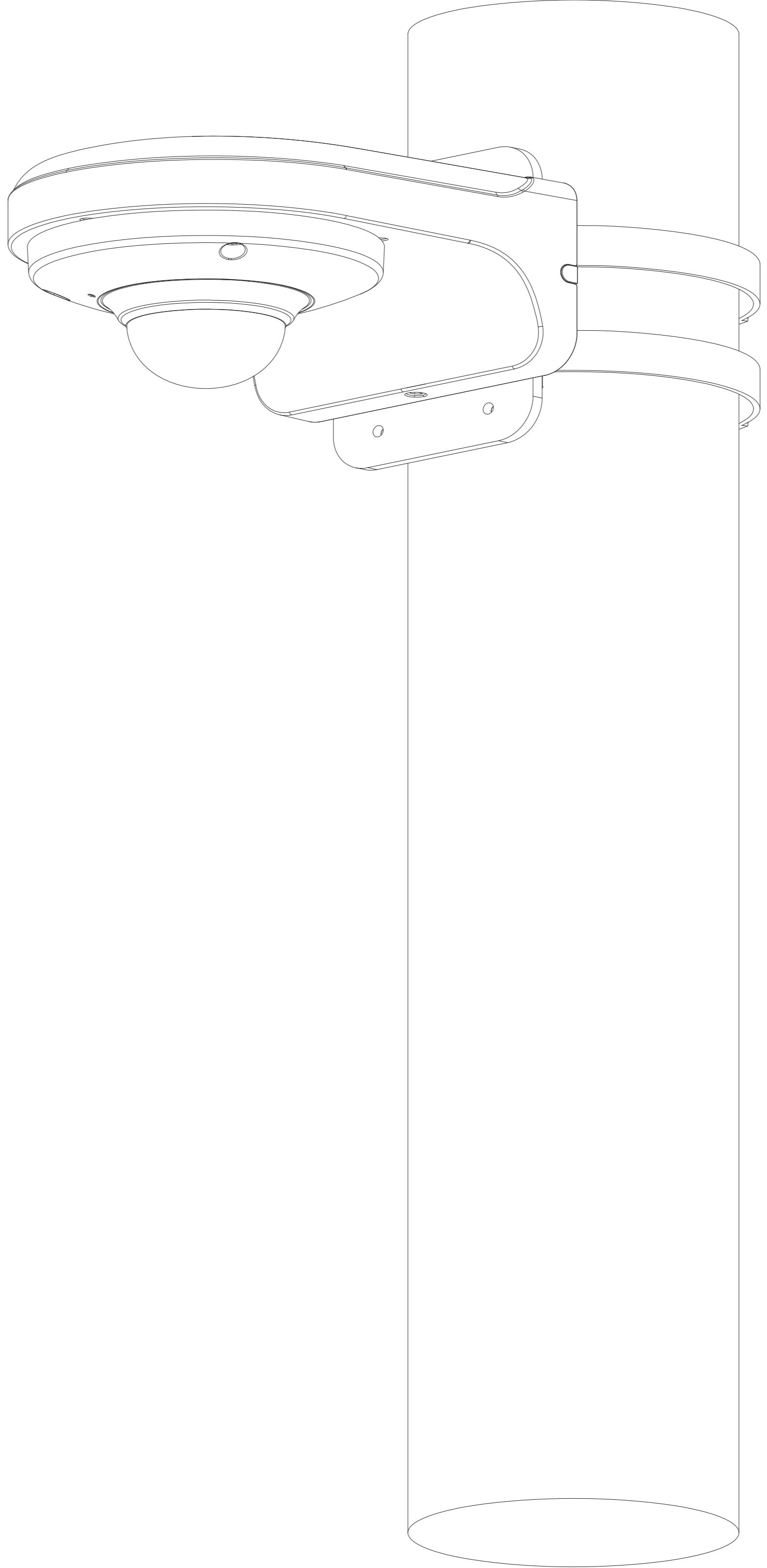


Junction Mount	Pole Mount
PFB203W	PFB203W + PFA152
 A line drawing showing a PFB203W camera mounted on a junction box. The camera is positioned on the front face of the box, which is shown in a perspective view. The camera has a lens and a protective cover.	 A line drawing showing a PFB203W camera mounted on a vertical pole using a PFA152 pole mount. The camera is attached to the pole via a bracket that wraps around it. The camera is angled downwards.