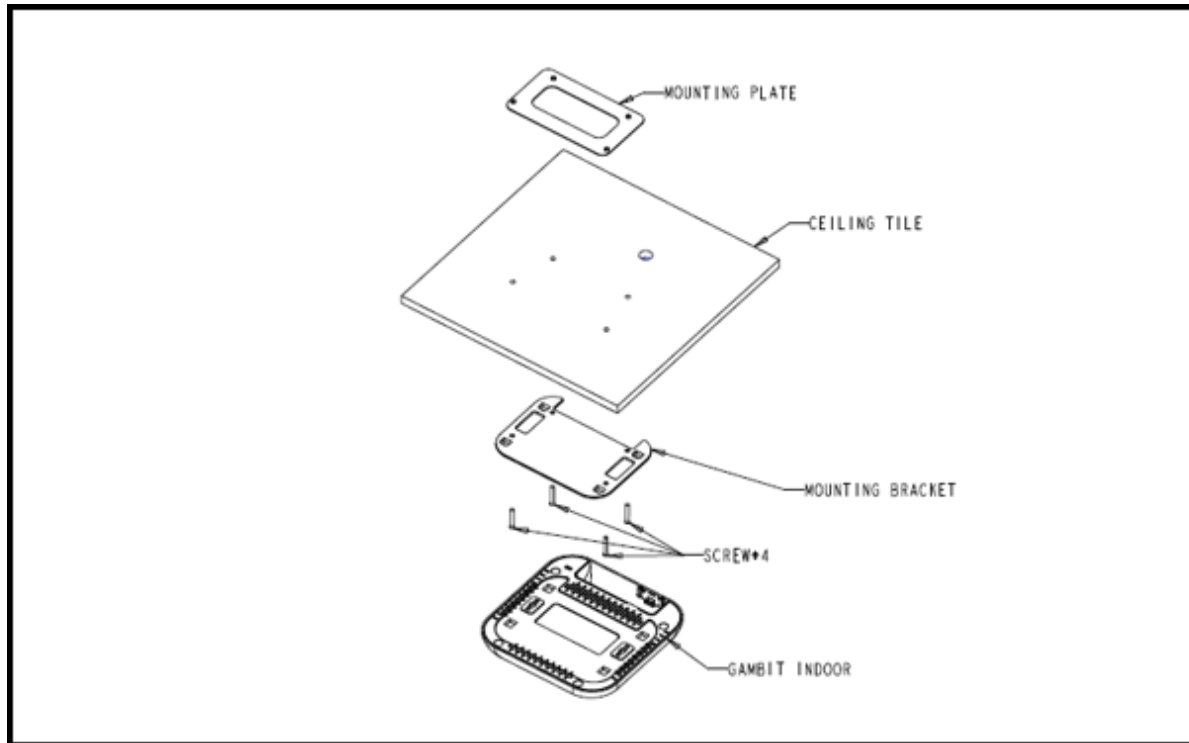


# Ceiling Installation



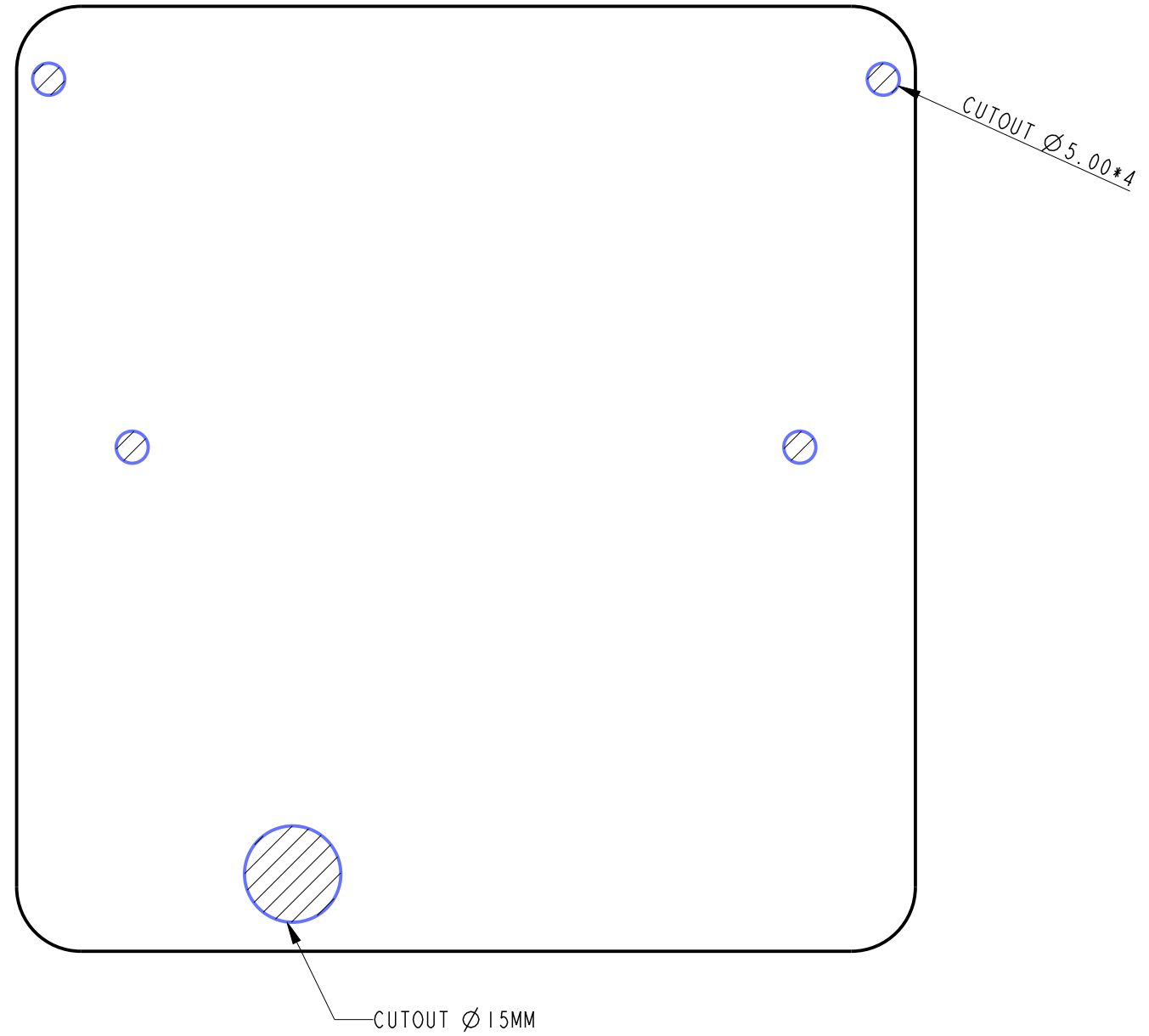
## Ceiling Mounting Instructions

- 1) Determine where the E400 is to be mounted and remove the ceiling tile
- 2) Using the included template, mark the hole locations
- 3) Drill the holes for the 4 mounting screws using a 5 mm (3/16") diameter drill bit
- 4) Drill the RJ45 cable hole using a 15 mm (5/8") diameter bit
- 5) Hold the mounting plate on the top side of the ceiling tile and screw on the Mounting Bracket
- 6) Run the RJ45 cable through the 15 mm hole and remount the ceiling tile
- 7) Attach the RJ45 cable to the E400
- 8) Slide the E400 onto the Mounting Bracket

## Hardware Installation

### Ceiling Installation Hole Template

E400 Mounting Template



SCALE: 1:1  
UNIT: MM

# Wall Installation

